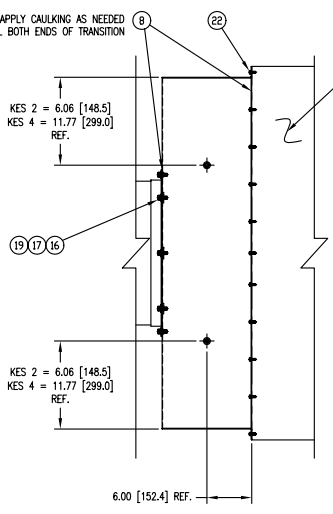
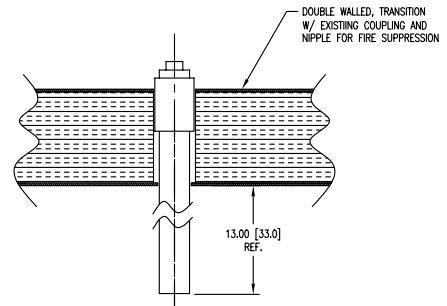


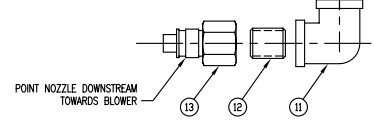
APPLY CAULKING AS NEEDED TO SEAL BOTH ENDS OF TRANSITION



ADAPTER AND NOZZLE ASSEMBLY TO TRANSITION  
PLAN VIEW

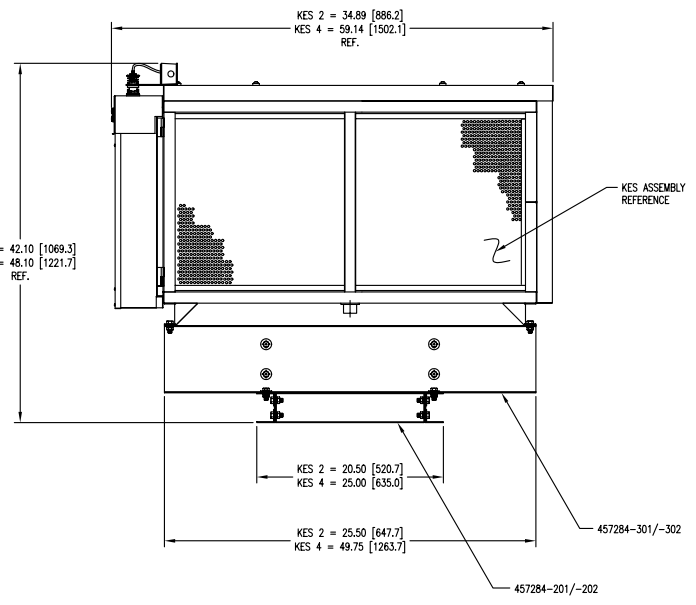
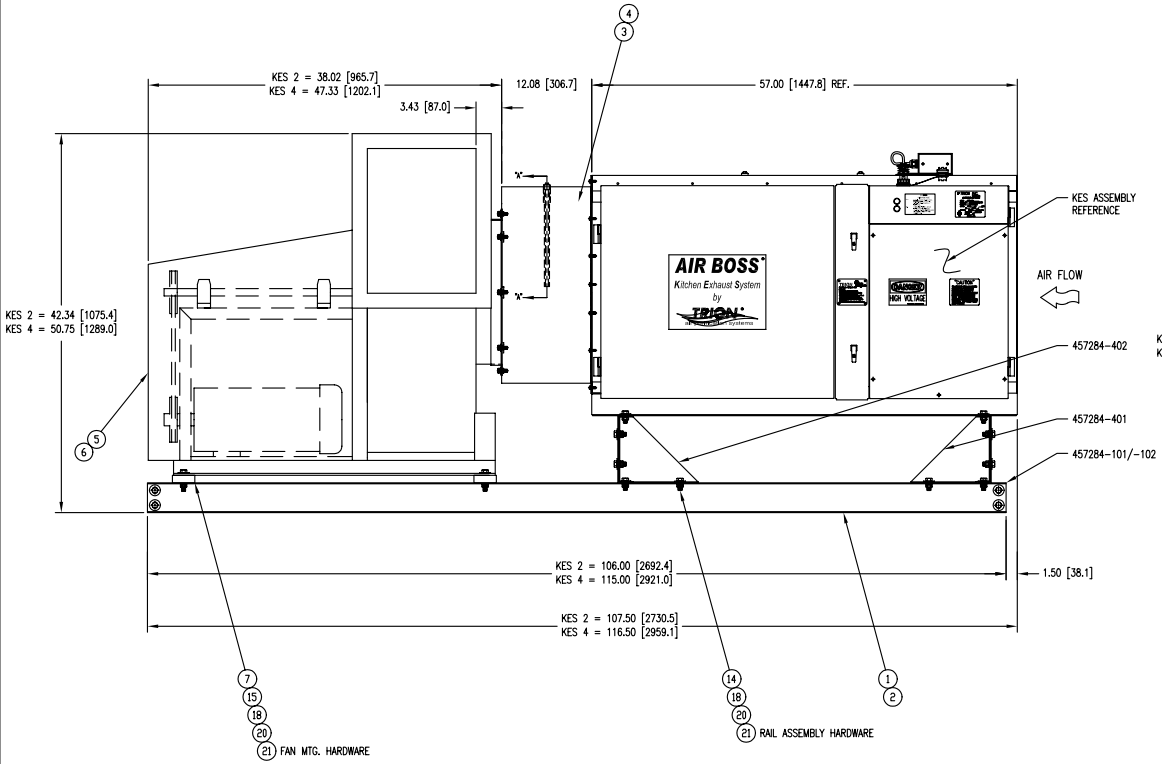


SECTION "A-A"  
NOT TO SCALE



257250-001  
KES 1  
257250-001  
KES 2

QTY.	QTY.	ITEM	TRION PART NO.	DESCRIPTION	REMARKS
-	1	1	457284-001	KES FAN PACKAGE MOUNTING RAIL COMPONENTS	KES 2
-	-	2	457284-002	KES FAN PACKAGE MOUNTING RAIL COMPONENTS	KES 4
-	1	3	357285-001	KES TRANSITION ASSEMBLY	KES 2
-	1	4	357285-002	KES TRANSITION ASSEMBLY	KES 4
-	1	5	456863-016	GREENHECK 15-BISW-21 CENTRIFUGAL FAN	KES 2
-	1	6	456863-017	GREENHECK 18-BISW-21 CENTRIFUGAL FAN	KES 4
4	4	7	255606-002	VIBRATION PAD - NEOPRENE & CORK 3" X 3"	
1	1	8	150694-001	FIRESTOP CAULKING	
2	2	9	262656-001	QUICK SEAL ADAPTER-3/8" PIPE	
10"	10"	10	221483-003	PIPE - BLACK IRON, 3/8" S&H-40	10.00" LG
2	2	11	122506-003	ELBOW, 90°, 3/8" NPT	
2	2	12	120856-003	CLOSE NIPPLE, 3/8" NPT	1.00" LG
2	2	13	356557-019	FIRE SUPPRESSION NOZZLE, ZW	
28	16	14	221235-038	HEX HD CAP SCREW 1/2-13 x 1 1/4"	
4	4	15	221235-043	HEX HD CAP SCREW 1/2-13 x 2 1/2"	
8	8	16	221235-272	HEX HD CAP SCREW 3/8-16 x 1"	
8	8	17	120033-011	LOCKWASHER, 3/8"	
32	20	18	120033-013	LOCKWASHER, 1/2"	
8	8	19	120031-013	FLAT WASHER, 3/8"	
32	20	20	120031-015	FLAT WASHER, 1/2"	
32	20	21	120036-016	HEX NUT, 1/2-13	
32	22	22	222005-057	SCREW, SELF-DRILLING HEX HD	1/4-14 x 5/8" LG.



UNLESS OTHERWISE SPECIFIED USE		KES FAN PACKAGE ASSEMBLY		REV
SCALE	1/8"=1'	2 DEC. PLACE ± .03	3 DEC. PLACE ± 0.15	ANGLES ± 1/2°
DR.	AMO	CHKD.	DBP	APP. CAR
NEXT ASSY	USED ON	DATE	4-28-04	DATE
APPLICATION	DATE	4-28-04	DATE	4-28-04

257250  
PROPERTY OF TRION, INC. RENO, NV 89509

REV A  
AMO 6-4-04  
CO-16327-40  
DEL. ITEMS 9 & 10  
UPDATED PICTORIALS  
& DIMS TO SHOW  
DOUBLE WALL  
CHG. ITEM 22 QTY.:  
ASS'Y. -001 WAS 20;  
ASS'Y. -002 WAS 30  
CO-16278-31