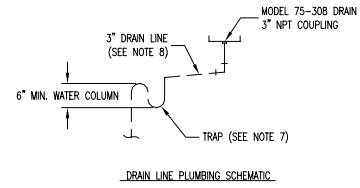
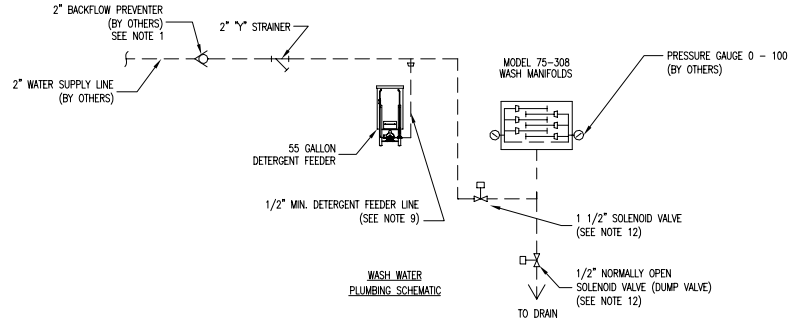
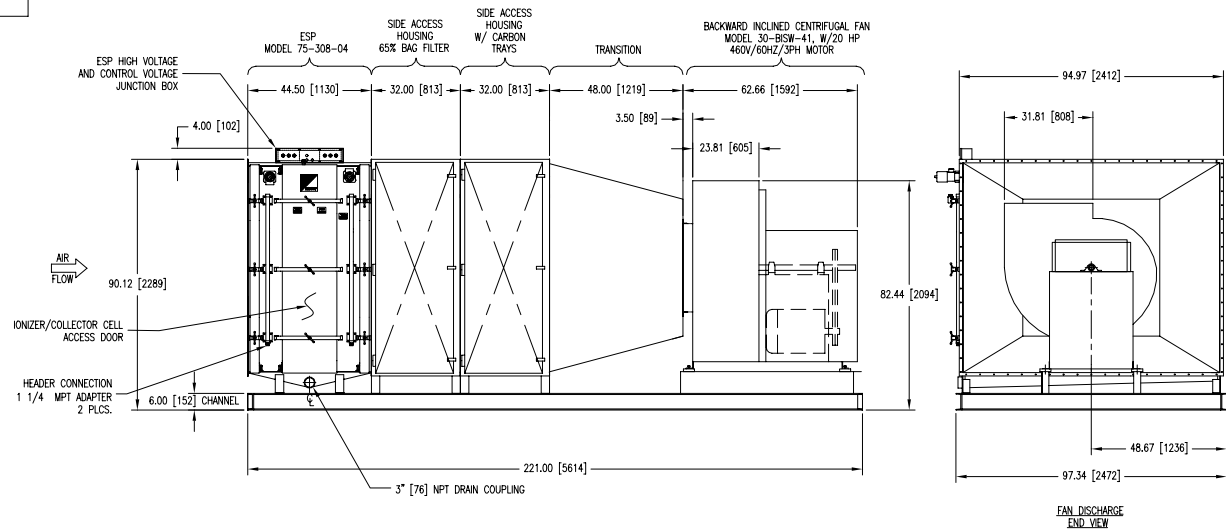
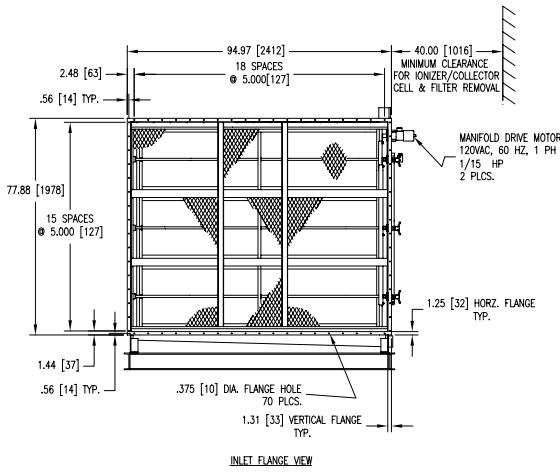


NOTES:

- 1) THE BACKFLOW PREVENTER MUST BE LOCATED UPSTREAM FROM THE DETERGENT FEEDER LINE CONNECTION AND "Y" STRAINER. THIS DEVICE SHOULD BE CONTINUOUS PRESSURE TYPE AND INSTALLED IN ACCORDANCE WITH ALL APPLICABLE PLUMBING CODE REQUIREMENTS.
- 2) WASH WATER REQUIREMENTS: 64 GPM @ 50 PSI
- 3) PIPING AND PRESSURE GAUGE SHOWN BY PHANTOM LINES IN SYSTEM PLUMBING SCHEMATIC SUPPLIED BY OTHERS.
- 4) AVERAGE WASH WATER CONSUMPTION: 224 GALLONS
- 5) SYSTEM WEIGHT (ESTIMATE) WITH POWER PACKS AND CONTROLS: 8,700 LBS.
- 6) UNIT SHOWN WITH RIGHT HAND ACCESS.
- 7) DRAIN LINE TRAP MUST PROVIDE SUFFICIENT WATER COLUMN TO OVERCOME THE INTERNAL STATIC PRESSURE OF THE AIR HANDLING SYSTEM IN WHICH THE MODEL 75 IS INSTALLED.
- 8) ALLOW FOR MAXIMUM AVAILABLE SLOPE ON DRAIN LINES. INSUFFICIENT SLOPE ON DRAIN LINES WILL RESULT IN POOR DRAINAGE, POOLING OF LIQUID IN THE CABINETS, AND SYSTEM FAILURE.
- 9) INJECT DETERGENT LINE INTO MAIN WATER LINE AS CLOSE AS POSSIBLE AND UPSTREAM FROM THE MODEL 75.
- 10) PROTECT ALL WASH WATER AND PLUMBING COMPONENTS THAT ARE SUBJECT TO FREEZING.
- 11) IT IS RECOMMENDED THAT HOT WATER (MIN. 120°F) BE USED FOR A MORE EFFICIENT WASH CYCLE. HOT WATER TANKS SHOULD BE LOCATED AS CLOSE AS POSSIBLE TO THE UNIT BEING WASHED AND SUFFICIENT PIPING MUST BE PROVIDED SO THE WATER FLOW IS NOT RESTRICTED NOR WATER PRESSURE APPRECIABLY REDUCED.
- 12) SOLENOID ON VALVE MUST BE MOUNTED VERTICAL AND UPRIGHT.
- 13) FAN RATING: 12,600 CFM @ 6.00" S.P. (EXTERNAL STATIC PRESSURE 2.5" W.C.)
- 14) MODEL 75-308-04 SUPPLIED WITH IMPINGER PREFILTER & METAL MESH AFTERFILTER.
- 15) THIS SYSTEM REQUIRES TWO ELECTRICAL CIRCUITS: CONTROL - 120 VAC/60HZ/3 PH @ 30 AMP. MAX BLOWER - 460 VAC/60HZ/3 PH @ 27.0 FLA
- 16) ANSUL FIRE-PREP, STAND ALONE, FIRE SUPPRESSION SYSTEM INCLUDED WITH ANSUL AUTOMAN REGULATED ASSEMBLY, TWO 3 GALLON TANK ASSEMBLIES WITH ENCLOSURES, ANSULEX LOW pH LIQUID FIRE SUPPRESSANT, 9 EACH 2W (2 FLOW) NOZZLES, 50 FT. OF 1/16", STAINLESS STEEL CABLE, AND K STYLE, 165°F FUSIBLE LINK. FINAL CONNECTIONS AND CERTIFICATIONS PROVIDED BY OTHERS.



- FTL LISTING TO UL 867 "ELECTROSTATIC AIR CLEANERS"
- UL LISTED YXYS & YXYS7 (CANADA) "HOOD AND DUCT ACCESSORIES"
- FANS FOR KITCHEN EXHAUST SYSTEMS UL LISTED UL762 "POWER ROOF VENTILATORS FOR RESTAURANT EXHAUST APPLIANCES"
- DESIGNED IN ACCORDANCE WITH THE RECOMMENDED PRACTICES OF NFPA 96 STANDARD FOR VENTILATION CONTROL AND FIRE PROTECTION OF COMMERCIAL COOKING OPERATIONS.



REVISIONS

CO-

UNLESS OTHERWISE SPECIFIED USE		MODEL 75-308-04 SYSTEM OUTLINE		TRION®		SAMPLE DWG	
SCALE	3/84=1	2 DEC. PLACE	± .03	3 DEC. PLACE	± .015	ANGLES	± 1/2°
NEXT ASSY	USED ON	DR. AMO	CHDL.	APP.	DATE	DATE	DATE
APPLICATION	DATE 6-18-04	DATE	DATE	DATE	DATE	DATE	DATE